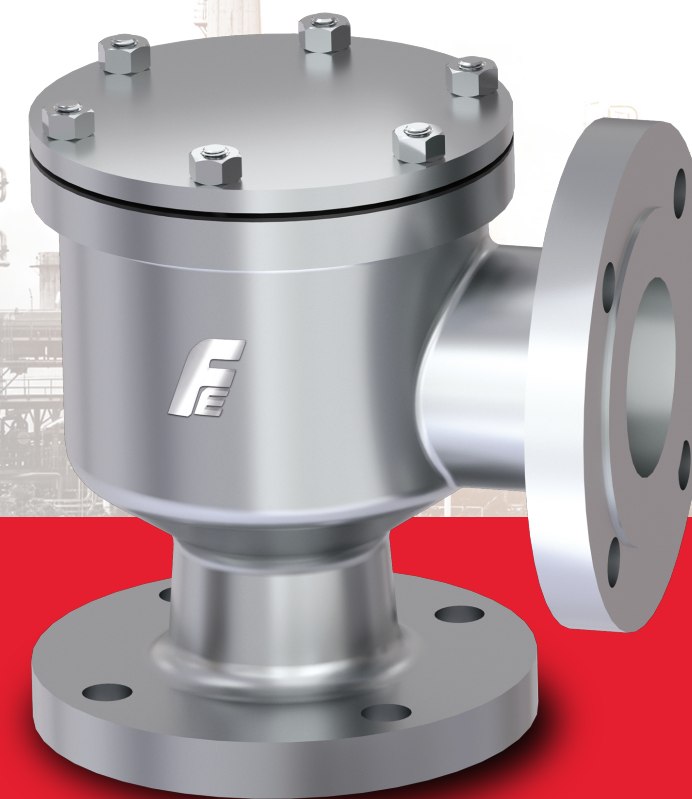




DEDICATED TO SAFETY

PIPE-AWAY PRESSURE RELIEF VENT



Pipe-Away Pressure Relief Vent is intended for use where pressure relief is required and the relieving vapors must be piped away and not vented to the atmosphere. A pallet in the vent housing opens and closes permitting relief necessary to avoid tank damage. A flanged side connection is provided for easy pipe-away of vapors eliminating the emission of vapors to the atmosphere.

APPLICATIONS:

- Oil & Gas Refinery
- Pharmaceutical
- Sugar & Distillery
- Chemical and petrochemical
- Fertilizer
- Biogas Plants
- Bulk liquids Storage terminals & transportation

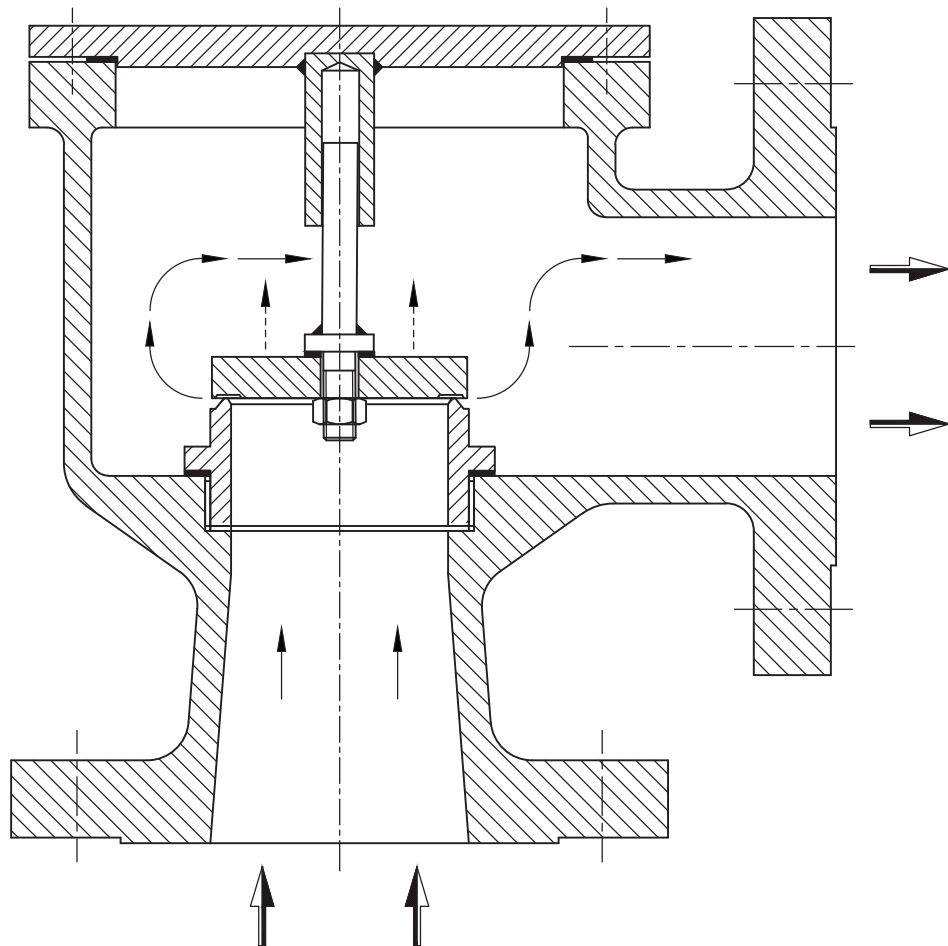




FEATURES

- Designed according to API 2000
- Certified test report verifying specified settings and leakage performance
- “Air-cushion” pallet design for low leakage
- Pallet assembly guides and center pallet stem guide to ensure proper alignment of pallet assembly on the seat and smooth lifting and reseating action
- Automatic condensate drainage design
- Design suitable for easy inspection and easy maintenance
- Serialized unit for easy identification and traceability

VENT VALVE

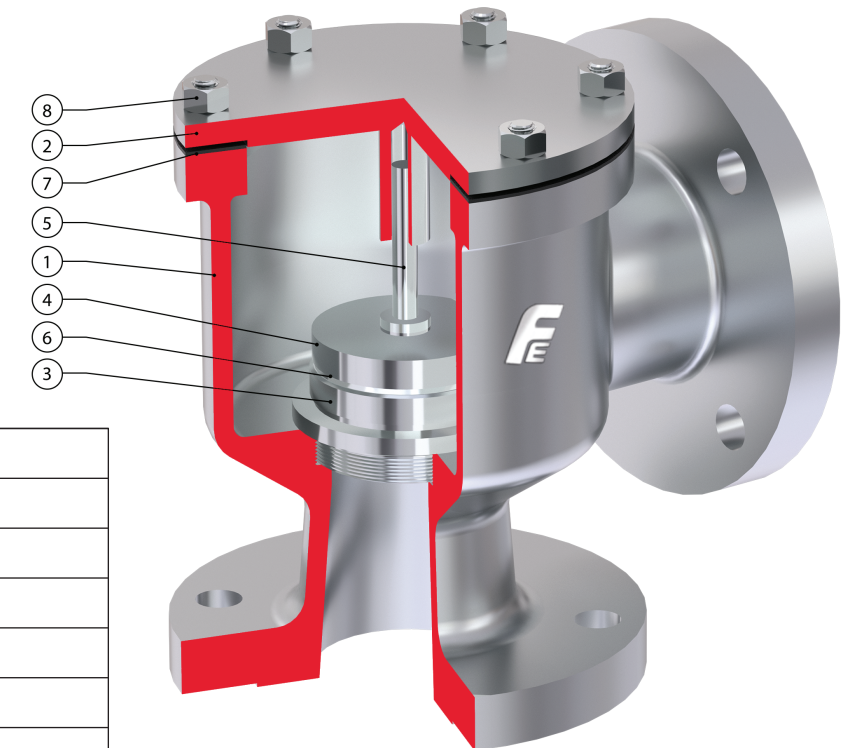


SPECIFICATIONS

- Sizes: 1” (DN 25) through 14” (DN 350)
- Flange Connections: ANSI 150# as Standard (Other Flange Std available on request)
- Materials: Carbon Steel Aluminum, Stainless Steel and Alloy C / C276. Non-metallic (PP- FRP) construction also available
- Standard Setting Range*: Pressure: 20 – 5000 mmWC
- Spring-loaded models available

OPTIONS

- Diaphragm Materials: PTFE, Viton, Buna N, EPDM, Neoprene; other materials available upon request
- Special Coatings: PTFE/Halar Coating can be given
- Material certifications for castings/Trim parts
- “Steam-Jacketing” available



08	FASTENERS
07	GASKET
06	DIAPHRAGM
05	SPINDLE
04	PALLET
03	NOZZLE
02	COVER
01	BODY
SR.NO.	DESCRIPTION

